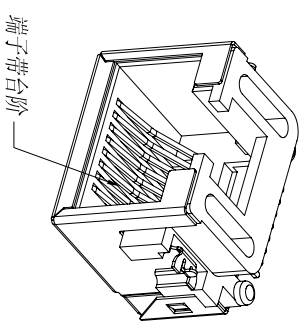
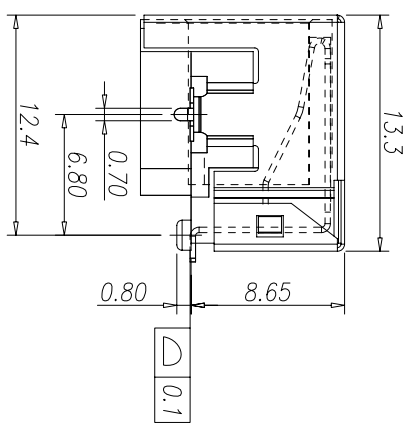
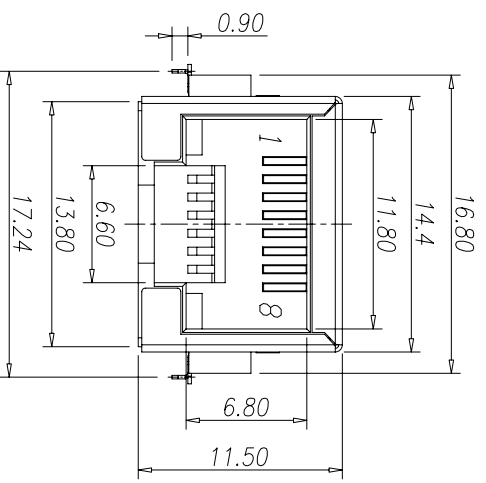
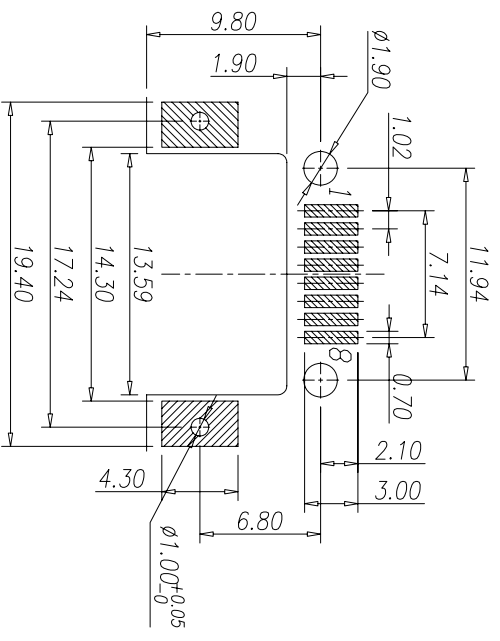
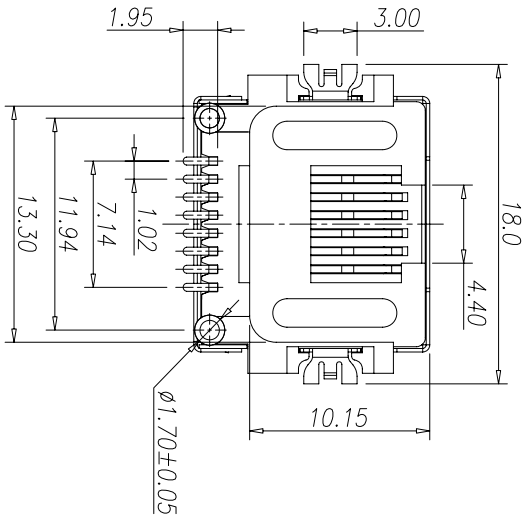


CATEGORY	DESCRIPTION	P/N #
CONNECTOR	RA45 8P8C 1X1PORT (端子带合阶)	MJ88-BX11-HLRVS2

REV.	ECN NO	DESCRIPTION	REVISED	DATE
A01		New Release	XSY	2015.05.30



- SPECIFICATIONS:
1. Voltage: 150V AC RMS
 2. Current Rating: 1.5A
 3. Contact Resistance: 40m Ω MAX.
 4. Insulation Resistance: 500MΩ MIN.
 5. Dielectric Withstand Voltage :1000V AC
 6. Operature Temperature: -40°C~80°C
 7. Durability: 500 Mating Cycles MIN.



Recommend PCB Layout
(Lack Top View)
Tolerance: $\pm 0.05\text{mm}$

Material & Plating

X	Terminal Plating
0	Au 1u" Plating
1	Au 3u" Plating
2	Au 6u" Plating
3	Au 15u" Plating

Part No.:
MJ88-BX11-HLRVS2

A	c	Shielding	1	Brass	Ni Plating	UNLESS OTHERWISE SPECIFIED TOLERANCES	SCALE:1/1	UNIT: mm	DWG.NO:	東莞市合陵電子有限公司 DongGuan Heling Electronic Co.,LTD
	b	Terminal	8	Phosphor Bronze	Au/Tin Plating					
	d	Housing	1	LCP UL94V-0	Black	DECIMALS: X : ±0.5 X.X : ±0.3 X.XX : ±0.2	ANGLES: X : ±2° X.X : ±1°	APPROVED BY	CHECKED BY	PREPARED BY
	NO.	PART NAME	Q'TY	MATERIAL	PLATING & COLOR	Remark	CUSTOMER COPY			

東莞市合陵電子有限公司
DongGuan Heling Electronic Co.,LTD

Connector

SCALE:1/1 UNIT: mm DWG.NO: WI-061-135

PAGE: 1 OF 1 REV: A01

APPROVED BY _____ CHECKED BY _____ PREPARED BY _____

DICK _____ XSY

CUSTOMER COPY