

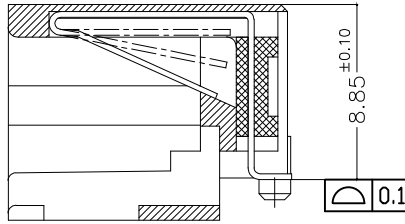
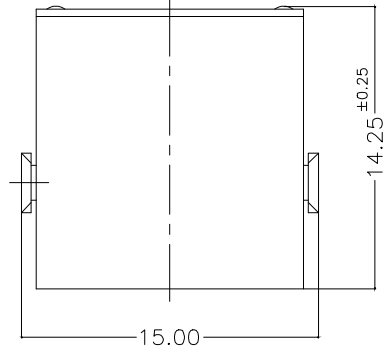
4	4	3	2	1
CATEGORY	DESCRIPTION	P/N #	REV.	ECN NO
CONNECTOR	RJ45 8P8C 全塑无灯	MJ88-BX11-J9RN1	A01	—
			DESCRIPTION	REVISED
			New Release	XSY
			DATE	2016.08.20

MJ88-BX11-J9RN1

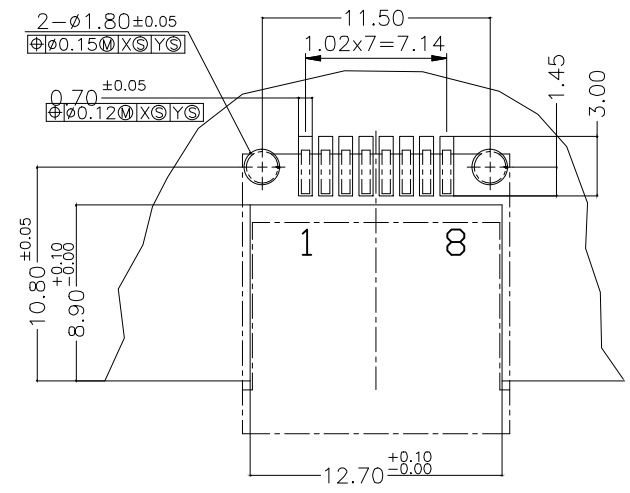
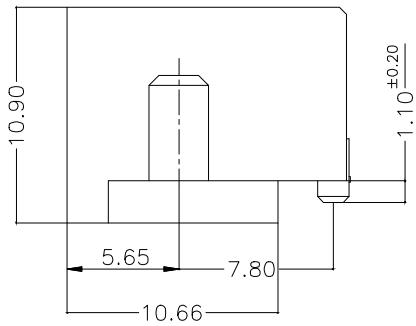
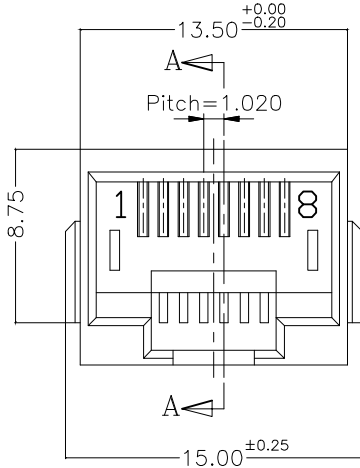
X	Terminal Plating
0	AU 1u" Plating
1	Au 3u" Plating
2	Au 6u" Plating
3	Au 15u" Plating
4	Au 30u" Plating

SPECIFICATION

1. VOLTAGE RATING: 125 VAC RMS.
2. CURRENT RATING: 1.5 AMP
3. CONTACT RESISTANCE: 40 mΩ MAX
4. INSULATION RESISTANCE: 500MΩ MIN.
5. WITHSTAND VOLTAGE: AC1000V RMS 60s.
6. OPERATING TEMPERATURE: -40°C~+80°C



SECTION A-A



RECOMMENDED P.C.B LAYOUT
TOP VIEW (COMPONENT SIDE)

b	TERMINAL	8	PHOSPHOR BRONZE	Au PALTING	
a	HOUSING	1	PA9T UL94V-0	BLACK	
NO.	PART NAME	Q'TY	MATERIAL	PLATING & COLOR	Remark


 东莞市合陵电子有限公司
 DongGuan Heling Electronic Co.,LTD

UNLESS OTHERWISE SPECIFIED TOLERANCES	SCALE:1/1	UNIT: mm	DWG.NO:
DECIMALS: X :±0.5 X.X :±0.3 X.XX :±0.2	SIZE: A3	PAGE:1 OF 1	REV:A01
ANGLES: X :±2° X.X :±1°	APPROVED BY	CHECKED BY	PREPARED BY
	DICK	XSY	WTF
CUSTOMER COPY			